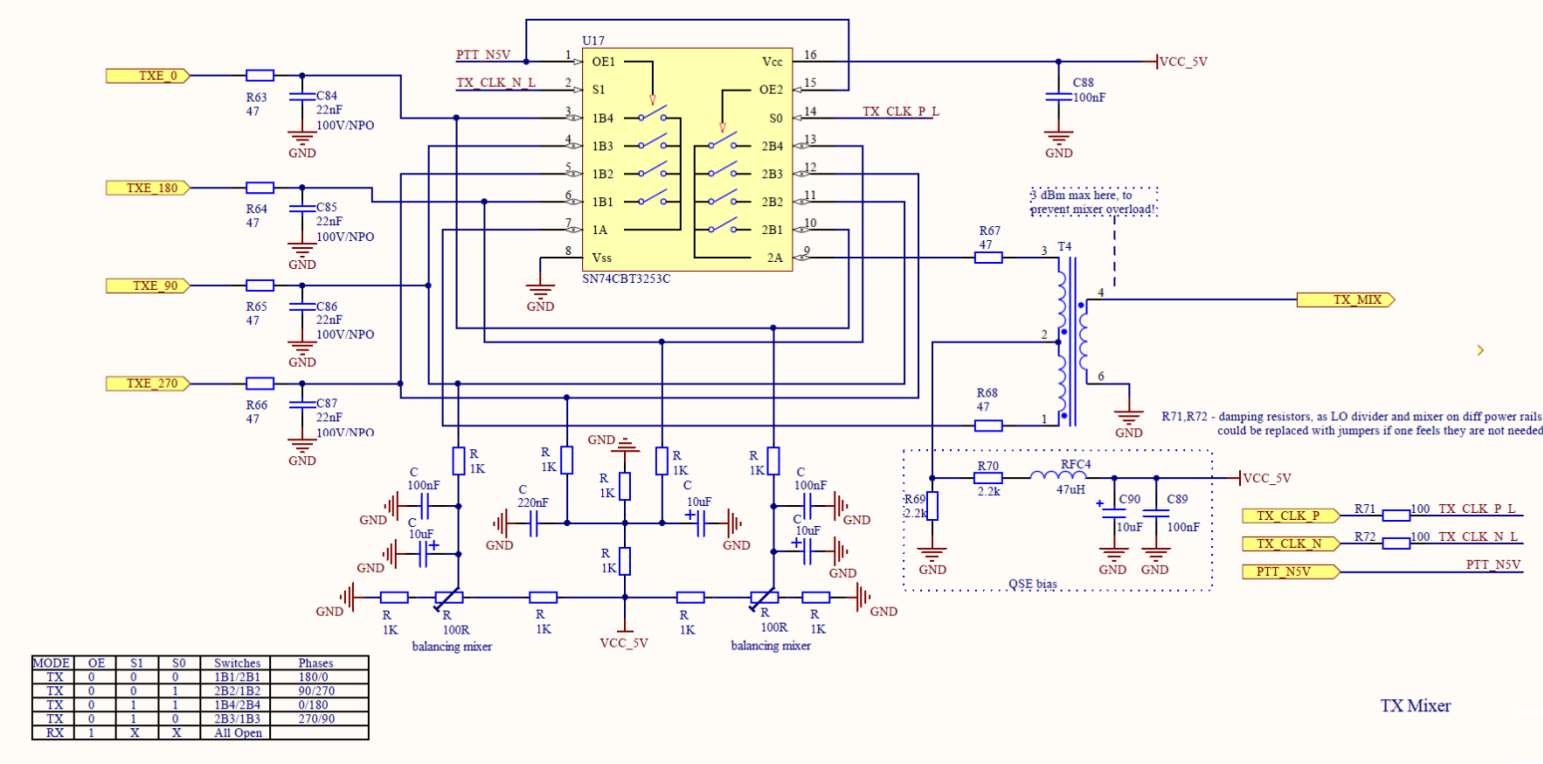
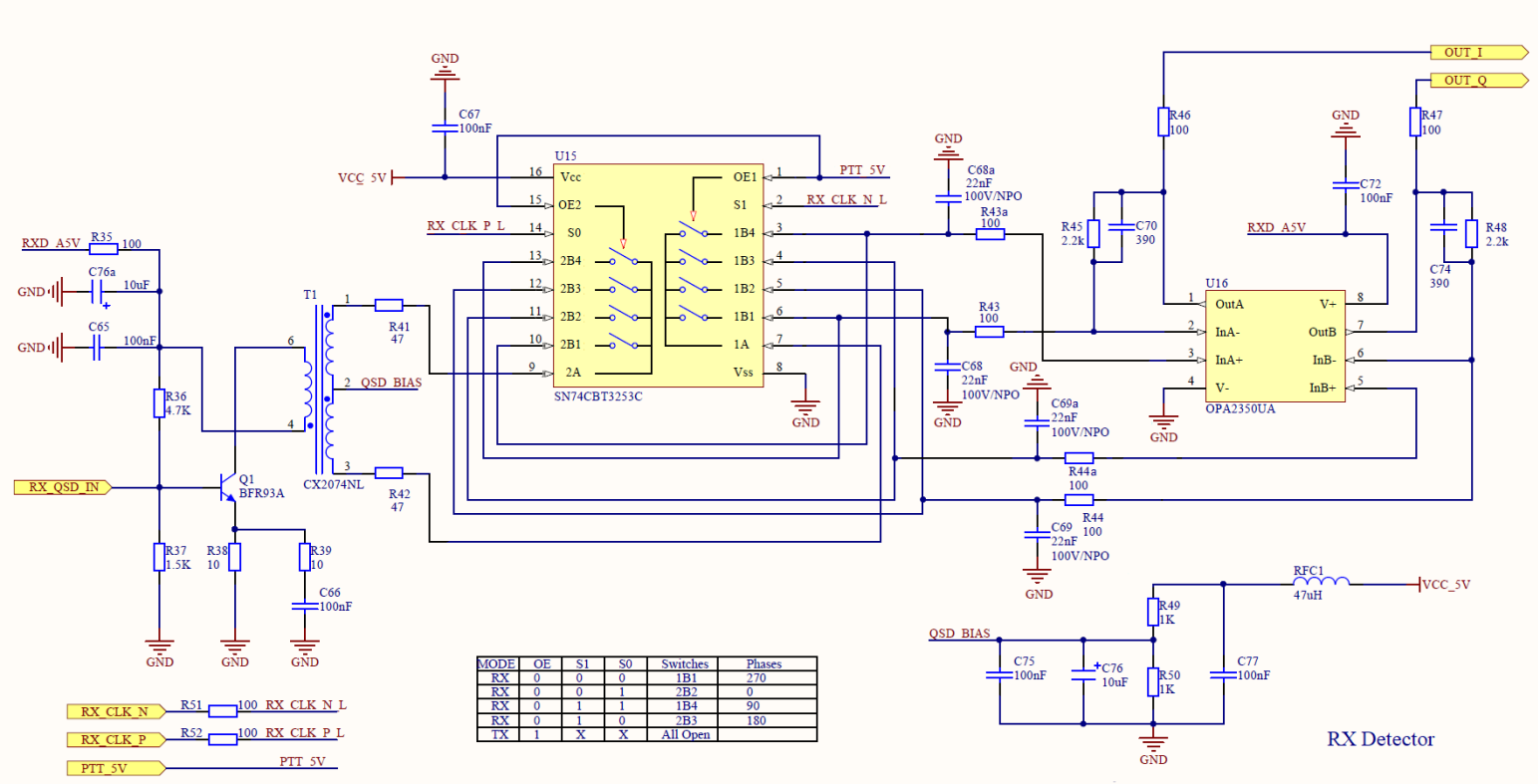
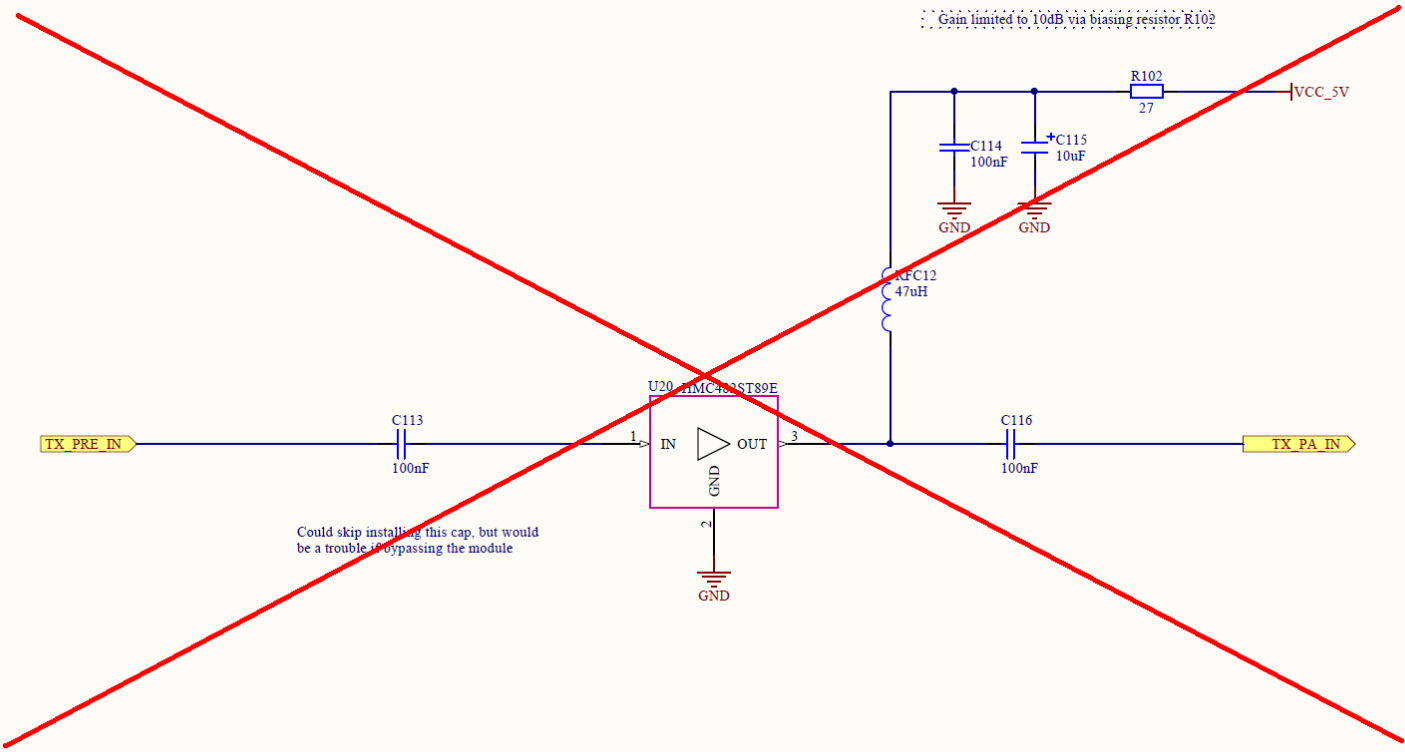


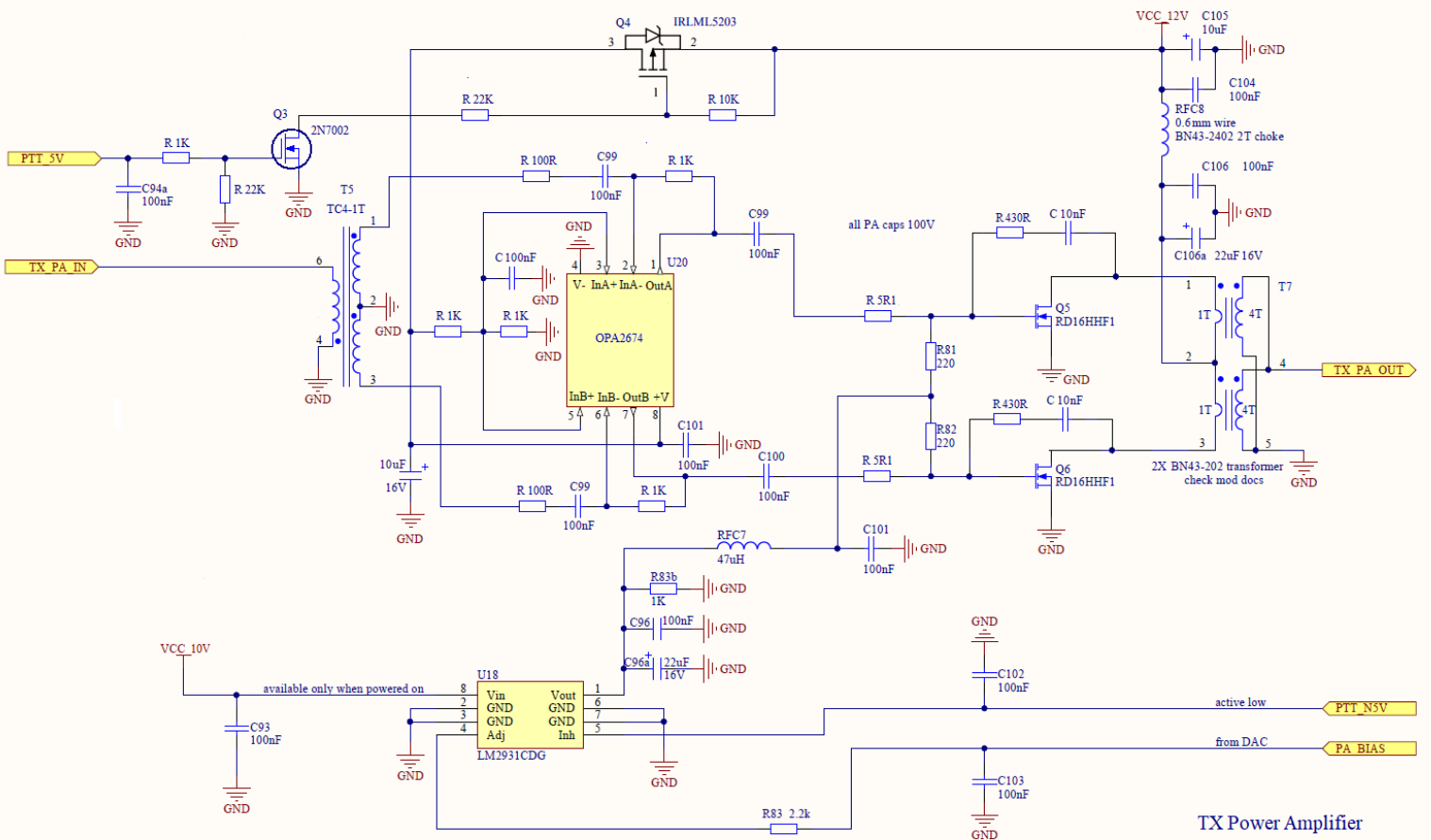
Changes:



Gain limited to 10dB via biasing resistor R102



Could skip installing this cap, but would be a trouble if bypassing the module



TX Power Amplifier

